

ASSEMBLY KIT STRONG BOY MINI

ZEM2SV35



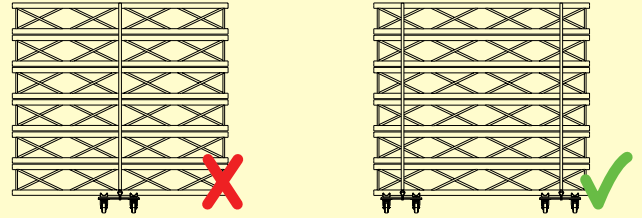
Admiral Staging the Netherlands
www.admiralstaging.com +31 534 301 201

SCOPE

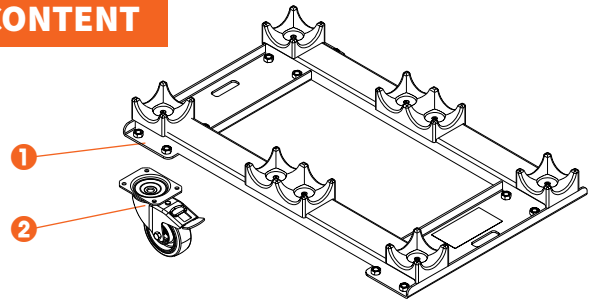
The intended use of the Strong Boy mini is to transport 30 truss. Always use two Strong Boy mini per badge of truss. Each badge of truss needs to be secured with straps at any time.

CAUTION

Always use more than one dolly.



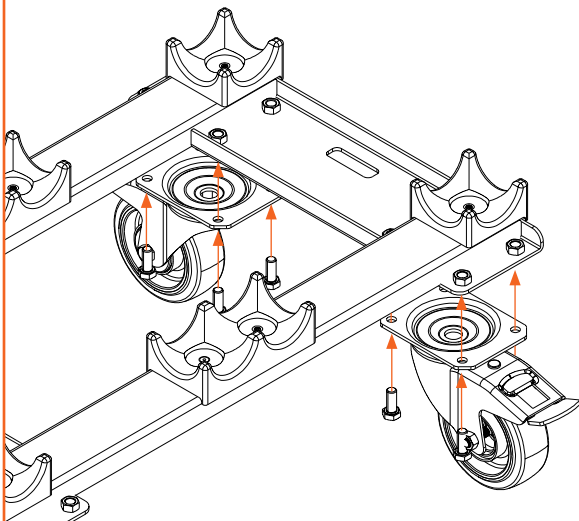
CONTENT



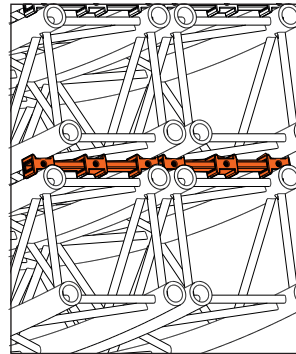
- 1 1 x frame: Strong Boy mini frame WASBM10
- 2 4 x castor: Swivel castor 100 with break ZEWACW14
- 1 x bolt set: Assembly kit Strong Boy mini ZEM2SV35

ASSEMBLY

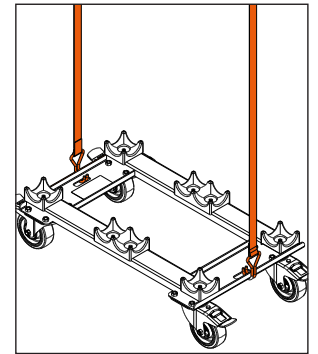
BUILDING THE DOLLY



LOADING



Use Admiral truss carriers to stack the truss.



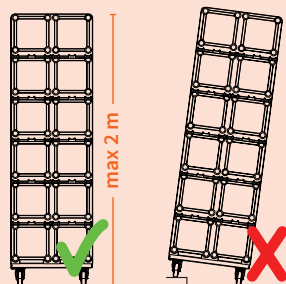
Secure with sufficient lashing straps.

WARNING

Don't load higher than 2 meters to prevent instability.

Always use the dolly on a flat surface.

castor Ø100 mm **WLL 130kg**



MAINTENANCE

The Strong Boy mini hardly needs any maintenance under normal use and environmental circumstances. For safety reasons however, all parts must be checked regularly for dirt, damages, loss and corrosion.

- Check all components for damage and corrosion. Damaged and corroded parts shall be rejected and thrown away.

Replaced component shall be genuine Admiral only.